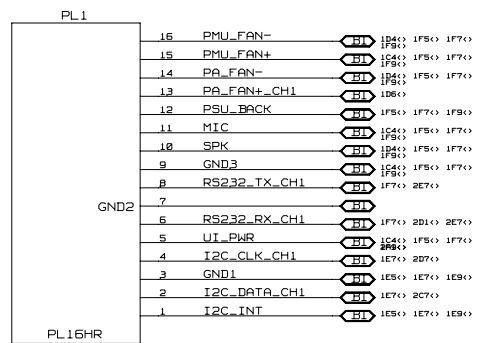
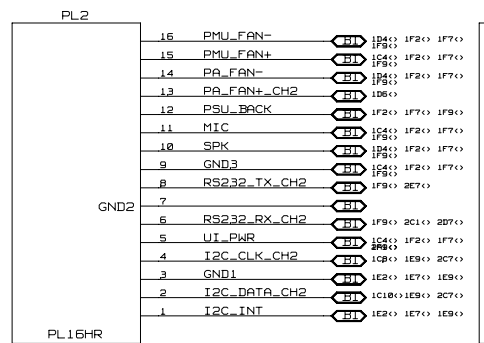


1 2 3 4 5 6 7 8 9 10

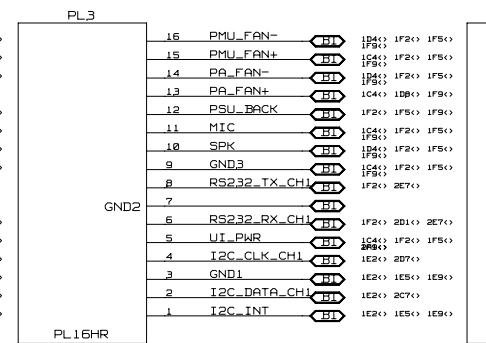
G
F
E
D
C
B
A



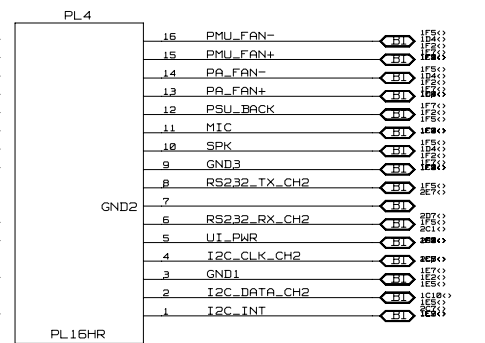
PA1 & PMU



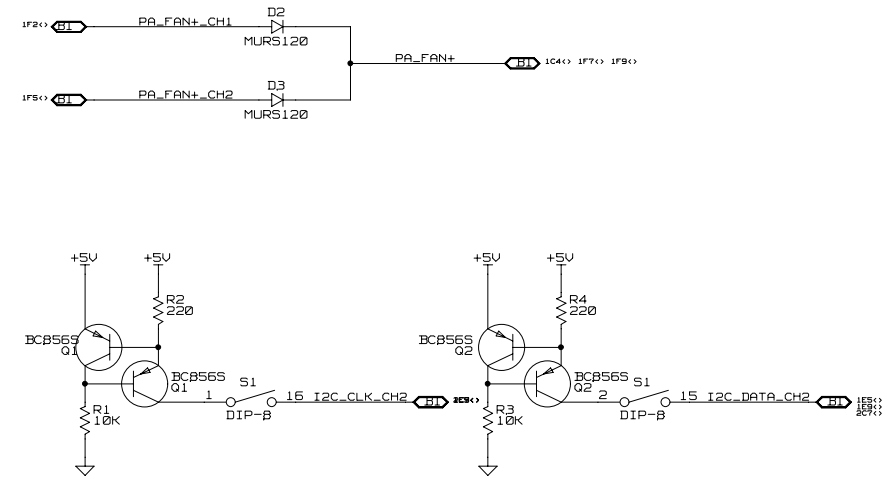
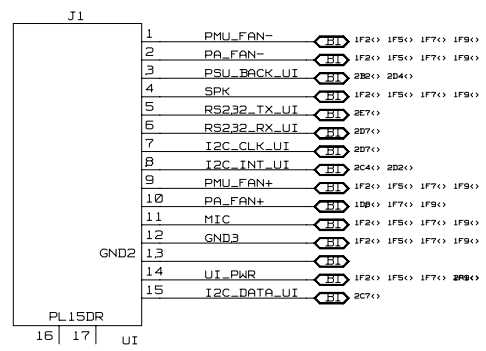
PA2



RECITER1



RECITER2

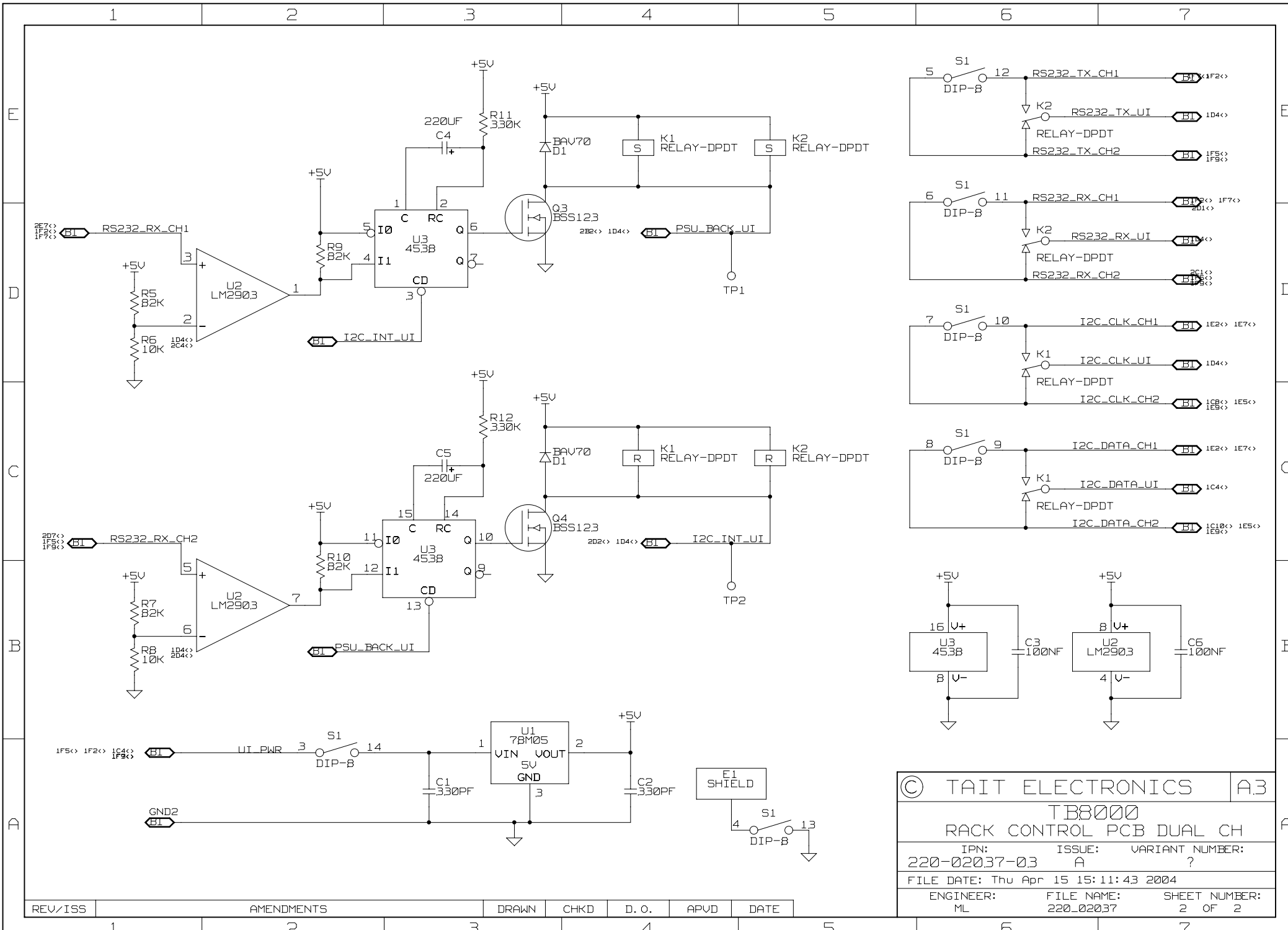


- DIP SWITCH
- 1 I2C_CLK PULLUPS
 - 2 I2C_DATA PULLUPS
 - 3 POWER
 - 4 SHLD GND
 - 5 RS-232_TX MULTI
 - 6 RS-232_RX MULTI
 - 7 I2C_CLK MULTI
 - 8 I2C_DATA MULTI

02A	DCO 02037-003	ML		CK	?	01-04-04	
02A	DCO 02037-002	ML		CK	?	26-08-03	
01	NEW BOARD						
REV/ISS	AMENDMENTS		DRAWN	CHKD	D.O.	APVD	DATE

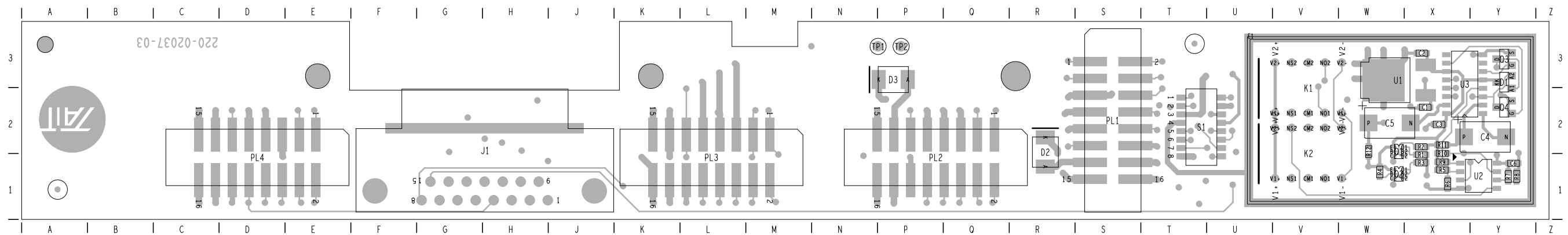
© TAIT ELECTRONICS		A2
TB8000 RACK INTERFACE		
IPN: 220-02037-03	ISSUE: A	VARIANT NUMBER: ?
FILE DATE: Thu Apr 15 15:40:52 2004		
ENGINEER: ML	FILE NAME: 220_02037	SHEET NUMBER: 1 OF 2

1 2 3 4 5 6 7 8 9 10

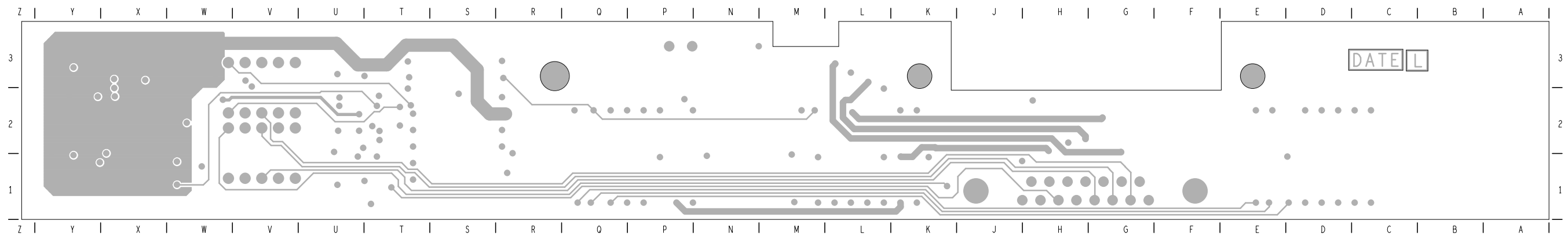


© TAIT ELECTRONICS		A.3
TB8000		
RACK CONTROL PCB DUAL CH		
IPN: 220-02037-03	ISSUE: A	VARIANT NUMBER: ?
FILE DATE: Thu Apr 15 15:11:43 2004		
ENGINEER: ML	FILE NAME: 220_02037	SHEET NUMBER: 2 OF 2

REV/ISS	AMENDMENTS	DRAWN	CHKD	D. O.	APVD	DATE
1	2	3	4	5	6	7



TAIT ELECTRONICS	IPN:	ISS:	DATE:	SCALE:
	220-02037-03	A	15Apr04	NTS
TB8000 Rack Interconnect 220 02037 03 LAYOUT-PRIMARY-SIDE				



TAIT ELECTRONICS	IPN: 220-02037-03	ISS: A	DATE: 15Apr04	SCALE: NTS
TB8000 Rack Interconnect 220 02037 03 LAYOUT-SECONDARY-SIDE				